

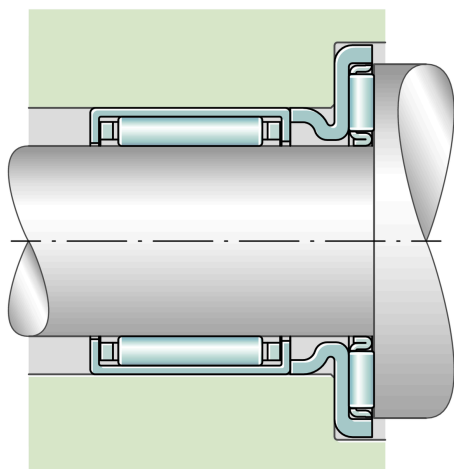
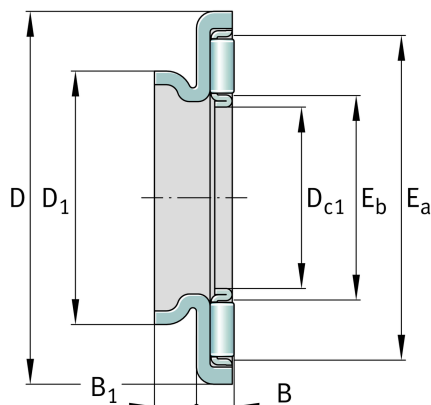
AXW10

Axial needle roller bearing

Schaeffler ID:
0001615780000

Axial needle roller bearings, single
direction, AXK with axial bearing washer

Technical information



Main Dimensions & Performance Data

| | | |
|----------|--------------|-----------------------------------|
| D_{c1} | 10 mm | Bore diameter cage |
| D | 27 mm | Outside diameter bearing washer |
| B | 3.2 mm | Height bearing |
| B_1 | 3 mm | Height centering collar |
| D_1 | 14 mm | Outside diameter centering collar |
| E_a | 23 mm | Raceway dimension |
| E_b | 12 mm | Raceway dimension |
| C | 9,200 N | Basic dynamic load rating, axial |
| C_{0a} | 25,500 N | Basic static load rating, axial |
| c_{ua} | 2,550 N | Fatigue load limit, axial |
| n_G | 16,900 1/min | Limiting speed |
| n_{gr} | 9,300 1/min | Reference speed |
| | 8.68 g | Weight |

Additional information

| | |
|-----------|---|
| AS1024 | Axial bearing washer |
| HK1012 | Drawn cup needle roller bearings |
| HK1015 | Drawn cup needle roller bearings |
| HK1010 | Drawn cup needle roller bearings for radial bearing arrangement |
| BK1010 | Needle bush |
| BK1012 | Needle bush |
| BK1015 | Needle bush |
| NK7/10-TV | Needle roller bearings with out inner ring |
| NK7/12-TV | Needle roller bearings with out inner ring |

